

# Assembly Instructions

## Hand Sanitiser Station

**Please note:**

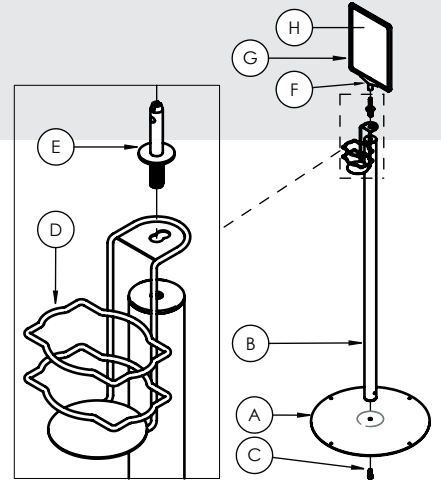
- Ensure that you have all the items from the checklist. Check that they're in good condition.
- When assembling this product, please ensure that all screws are tightened sufficiently so that the stand is sturdy and safe.

**Tools Required -**



**Checklist -**

- A** - Base - x1
- B** - Upright - x1
- C** - M10 Screw - x1
- D** - Cradle - x1
- E** - Pin - x1
- F** - Sign Bracket - x1
- G** - Sign Holder - x1
- H** - Sign - x1



**Instructions -**

<p><b>1</b></p> <p><b>Step 1:</b> Screw the M10 bolt into the upright, clamping the base in place.</p>	<p><b>Step 3:</b> Push the sign bracket onto the pin. Don't use excessive force whilst doing this. Then clip the sign holder into the sign bracket.</p> <p><b>3</b></p>	<p><b>Final Product:</b></p> <p><b>4</b></p>
<p><b>2</b></p> <p><b>Step 2:</b> Screw the pin into the upright, clamping the cradle in place. A tool can be put into the slot on the pin to provide leverage.</p>		

**Optional Drip Tray Instructions -**

<p><b>1</b></p> <p><b>Step 1:</b> Turn the tray upside down and peel off the protective tape liner.</p>	<p><b>2</b></p> <p><b>Step 2:</b> Insert the tray (at an angle)</p>	<p><b>3</b></p> <p><b>Step 3:</b> Push the tray down</p>
---	---	--

<b>ASSEMBLY INSTRUCTIONS</b>	<b>CLIENT:</b> SI RETAIL	<b>PROJECT No.</b> FD-SANKIT	<b>DATE:</b> 8/02/2021
<p style="font-size: 8px; margin-top: 5px;">THIS DOCUMENT MAY NOT BE SHOWN OR REPRODUCED BY ANY OTHER PARTY WITHOUT PRIOR WRITTEN CONSENT FROM SI RETAIL Pty Ltd. Copyright.</p>	<b>PROJECT:</b> HAND SANITISER STATION	<b>DRAWN BY:</b> SI RETAIL	<b>SHEET:</b> 1/1
		<b>FILE NAME:</b> FD-SANKIT-1W-WT	<b>REVISION:</b> F